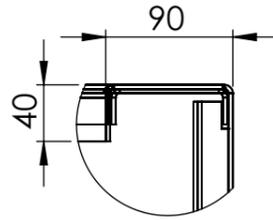
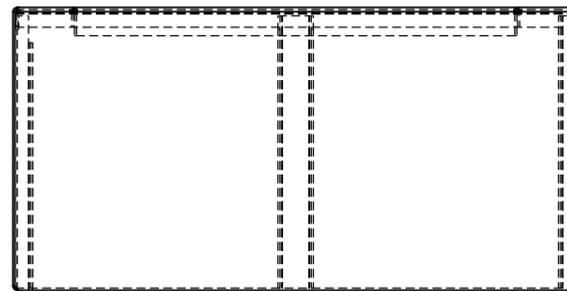
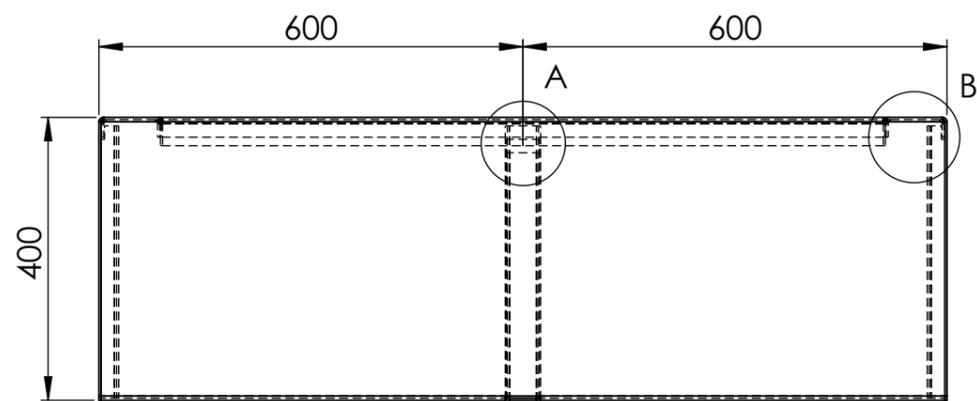
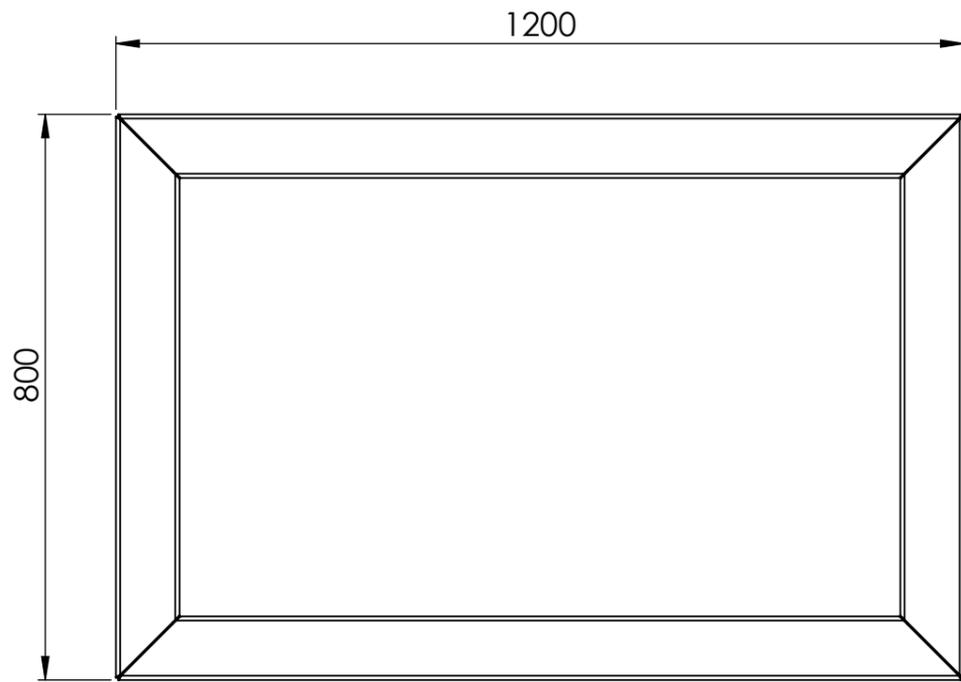


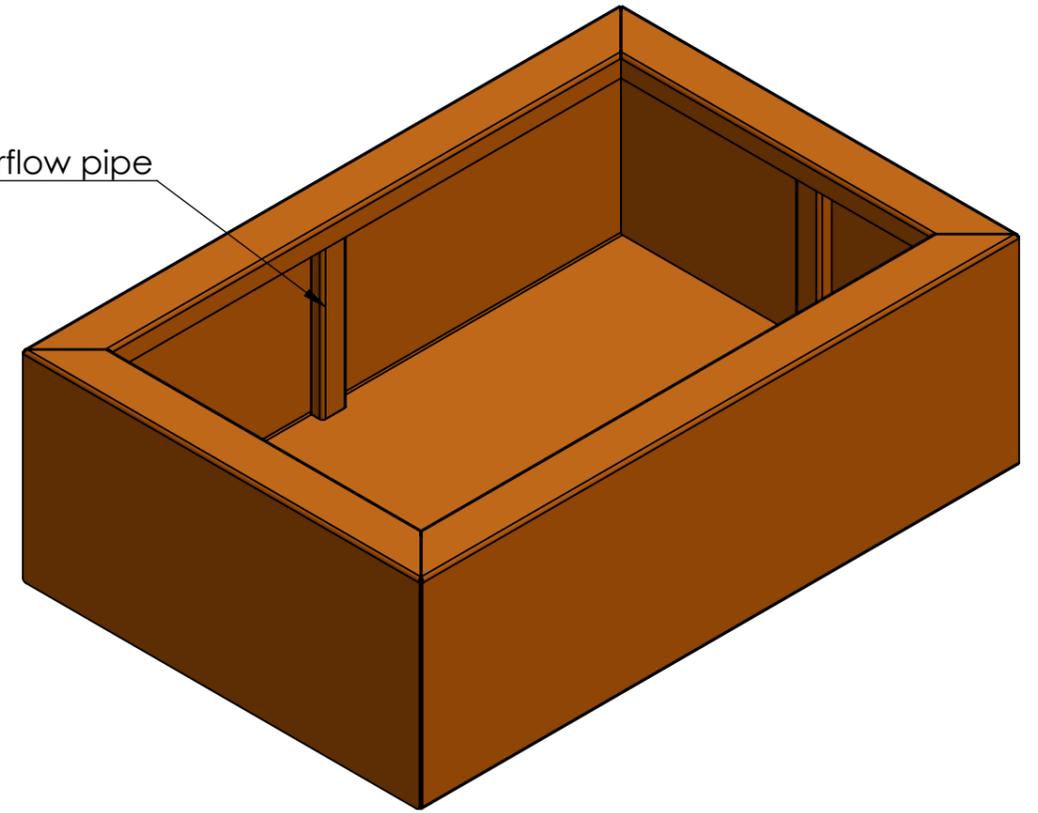
DETAIL A  
SCALE 1 : 5



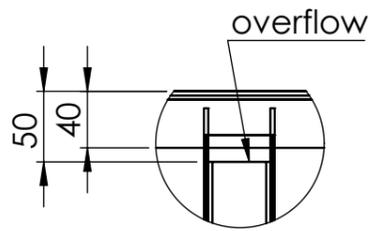
DETAIL B  
SCALE 1 : 5



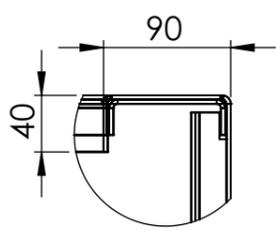
Overflow pipe



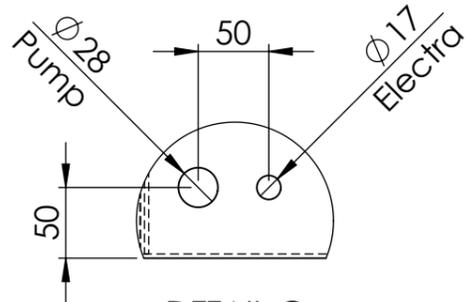
DRAWN	Luuk van den Heuvel	DATE	26-6-2023		TITLE:	Corten 3mm	
REVISION					Drawing:	VC11.1--	A3
		Liessentstraat 4, 5405 AG Uden (NL). t 0031 (0)413 - 27 41 68. e info@adezz.com, i www.adezz.com		Color:	-	Mass (kg):	<b>83,03</b>
				SCALE:1:10	SHEET 1 OF 10		



DETAIL A  
SCALE 1 : 5



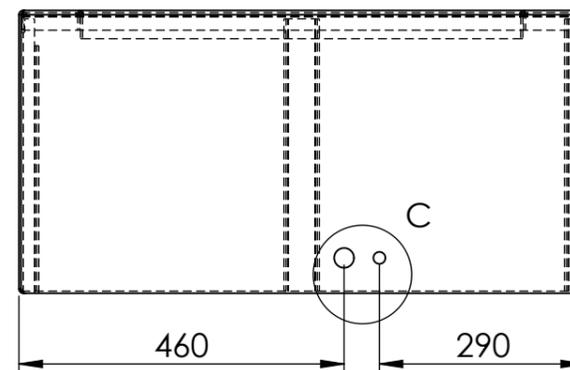
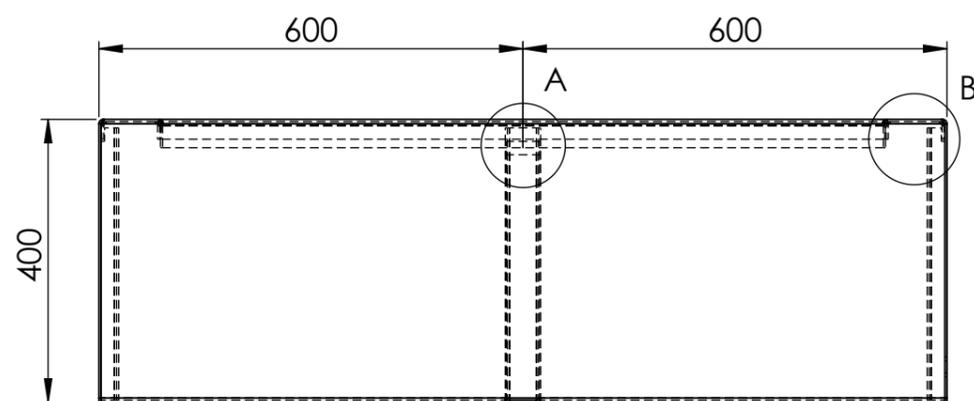
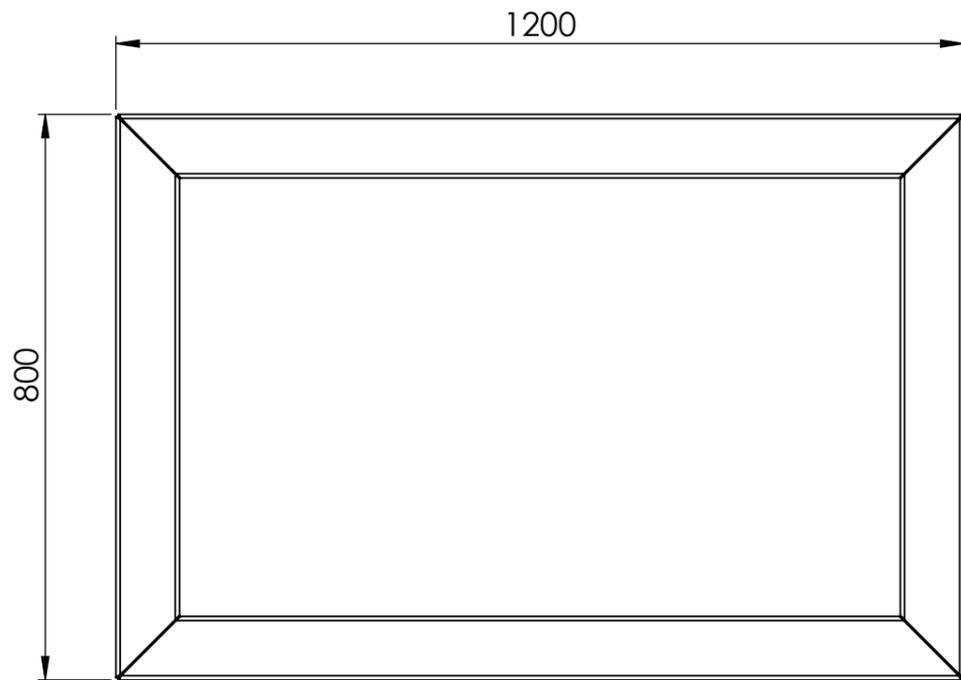
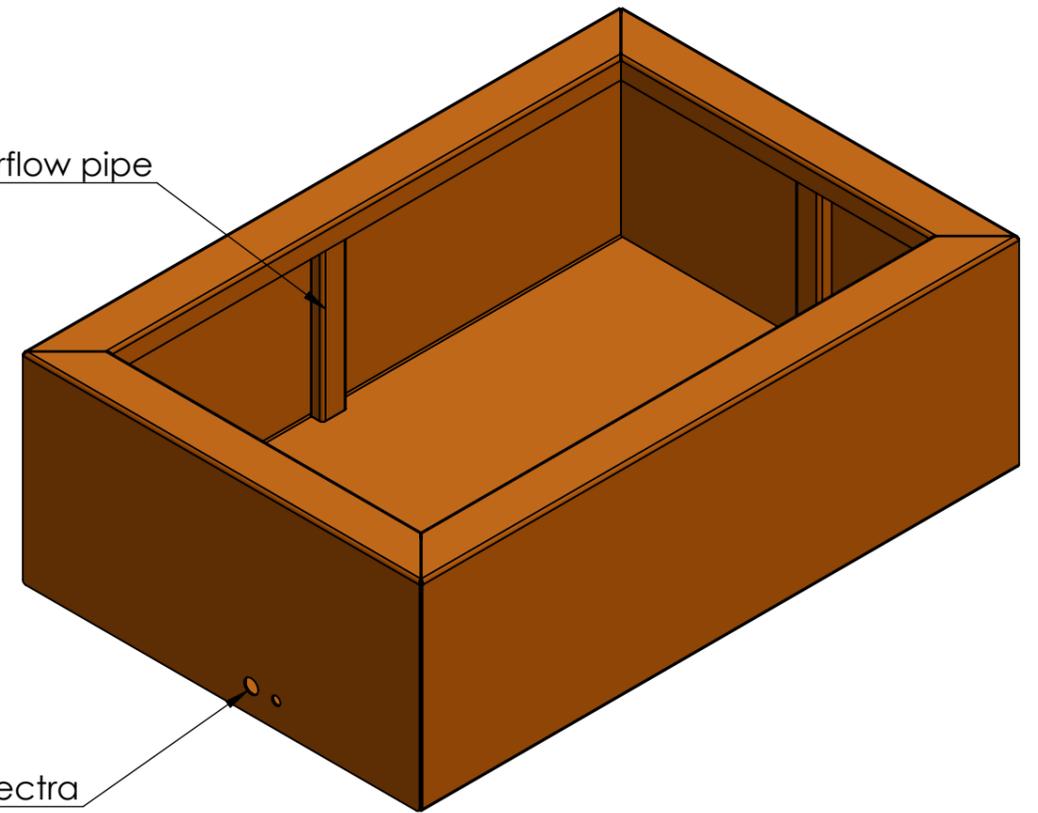
DETAIL B  
SCALE 1 : 5



DETAIL C  
SCALE 1 : 5

Overflow pipe

Pump and electra



		DATE		TITLE:
DRAWN	Luuk van den Heuvel	26-6-2023		
REVISION				

**ADEZZ**  
DESIGN TO GROW

Liessentstraat 4, 5405 AG Uden (NL).  
t 0031 (0)413 - 27 41 68.  
e info@adezz.com, i www.adezz.com

Color: -

Mass (kg): **83,01**

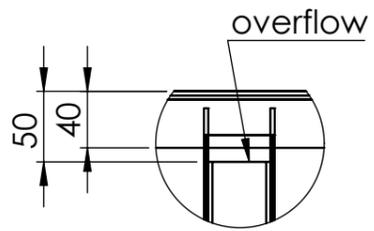
Drawing:

VC11.1--

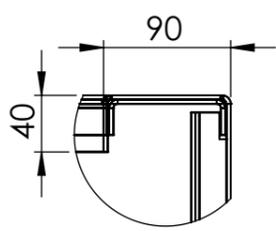
A3

SCALE:1:10

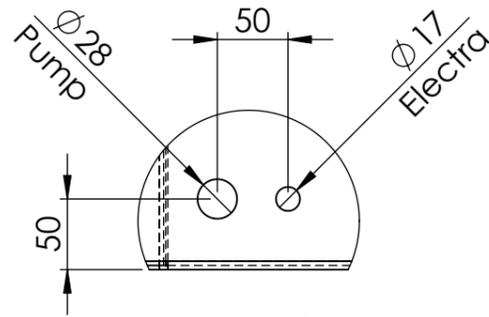
SHEET 1 OF 10



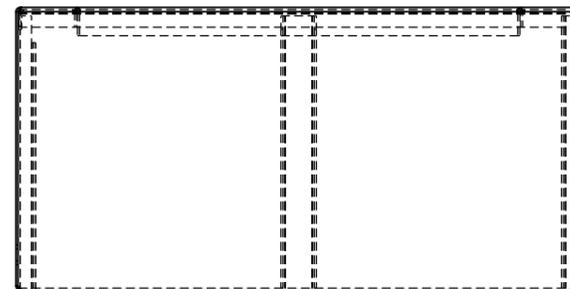
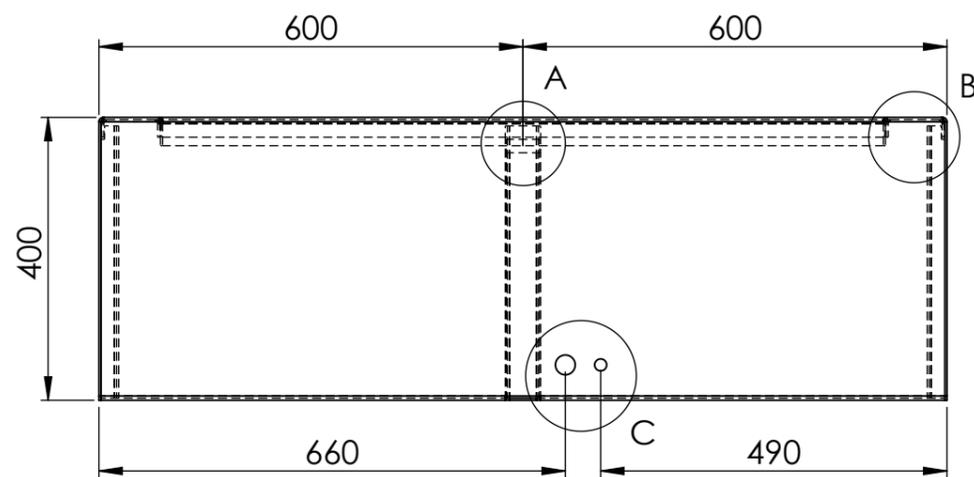
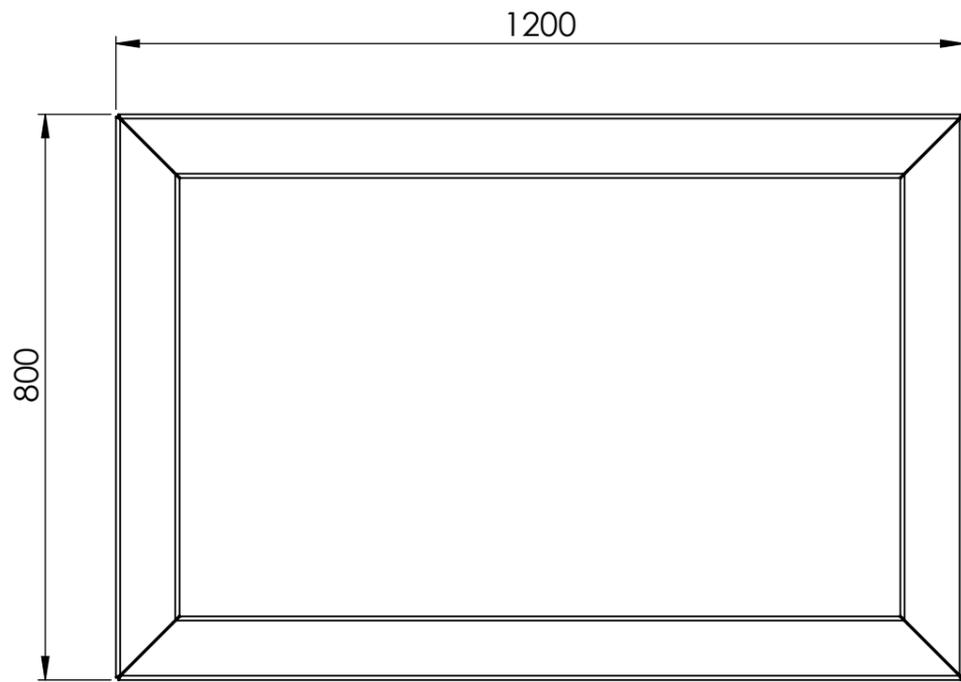
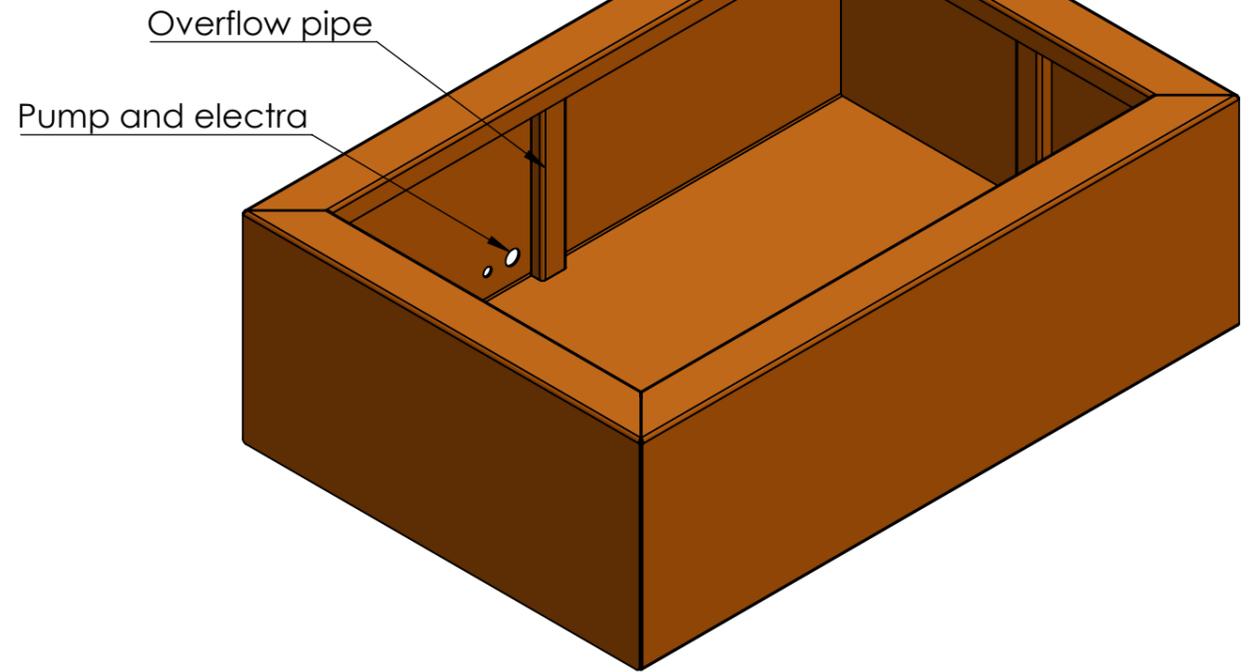
DETAIL A  
SCALE 1 : 5



DETAIL B  
SCALE 1 : 5



DETAIL C  
SCALE 1 : 5



DRAWN	Luuk van den Heuvel	DATE	26-6-2023		TITLE:	Corten 3mm	
REVISION					Drawing:	VC11.1--	A3
		Liessentstraat 4, 5405 AG Uden (NL). † 0031 (0)413 - 27 41 68. e info@adezz.com, i www.adezz.com		Color:	-	Mass (kg):	<b>83,01</b>
				SCALE:1:10	SHEET 1 OF 10		